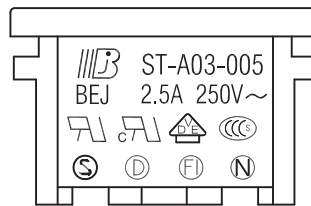
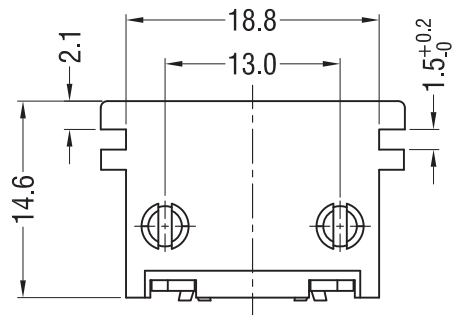
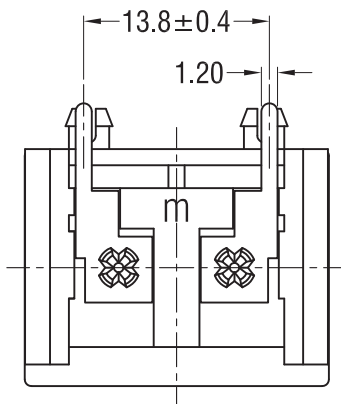


SECTION: A-A



MARK



SPEC:

A. Material:

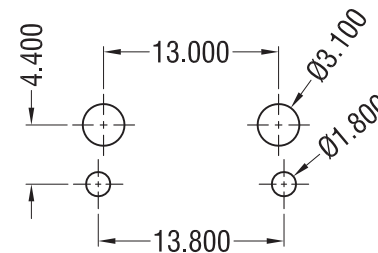
- 1.Housing: PA66 WITH G/F10%
- 2.Terminal: COPPER ALLOY, TIN PLATED

B.Electrical Characteristics:

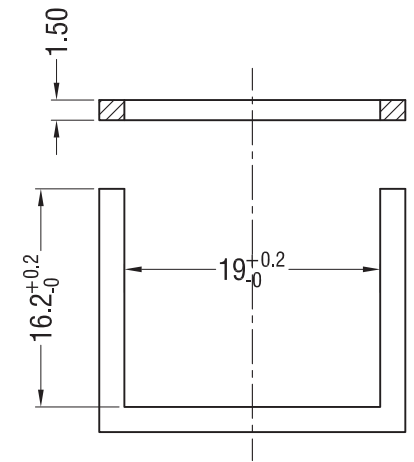
- 1.Rating: 2.5A 250V~
(UL, CUL, CCC, VDE, SEMKO, NEMKO, FIMKO, DEMKO)
- 2.Electric Strength: AC 2,000 V FOR ONE MINUTE
- 3.Insulation Resistance: 100MΩ MIN, AT 500V DC

C.Approvals:

- UL, CUL, CCC, VDE, SEMKO, NEMKO, FIMKO, DEMKO



PCB LAYOUT



PANLE CUT-OUT

东莞市涪程电子科技有限公司

Name:
AC INLET 2PIN SOCKET

Model No.:
ST-A03-005

Part No.:
ST-A03-005CT11(m)

File No.:
BEJ-ZE-EK-A03-0040

V1.4			
V1.3			
V1.2			
V1.1			
V1.0	2015.06.22	The drawing format conversion	-----
REV	DATE	DESCRIPTION	ECN NO.

Common Tolerance
DIMENSION: 0.0 ±0.3
ANGLE: ±3°
0.00 ±0.20
0.000 ±0.100

Drawing For Customer

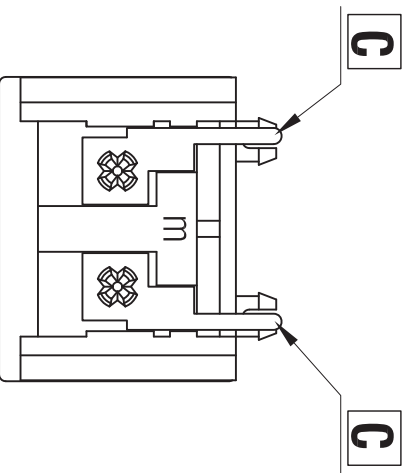
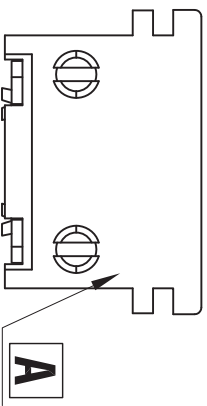
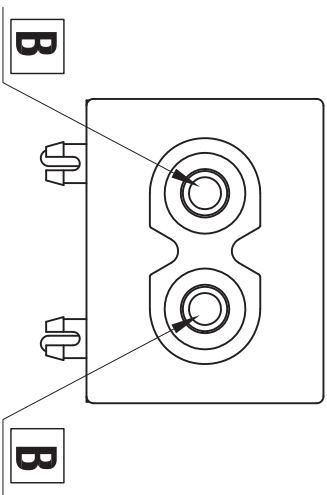
DESIGNER CHECKED APPROVED

Shirley Toby Buddy

VIEW:

UNIT: mm

项次	名称	料号	材质	规格	用量	备注
A	胶壳	A03-005C(m)	PA66 G10	黑色	1PCS	
B	插销	A03-CX19	黄铜	镀镍	2PCS	
C	插脚	A03-T11	黄铜	镀锡	2PCS	



REV	DATE	DESCRIPTION	ECN NO.
V1.4			
V1.3			
V1.2			
V1.1			
V1.0	2015.06.22	The drawing format conversion	-----

东莞市涪程电子科技有限公司			Name:	
Bill Of Material (BOM)			AC INLET 2PIN SOCKET	
DESIGNER			Model No.:	
CHECKED			ST-A03-005	
APPROVED			Part No.:	
Shirley			ST-A03-005CT11(m)	
Toby			File No.:	
Buddy			BEJ-ZE-EK-A03-0040(BOM)	